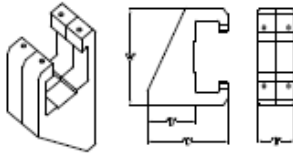
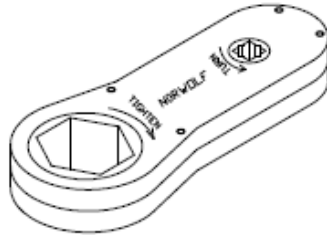


MISSING LINK TC SERIES TORQUE MULTIPLIER

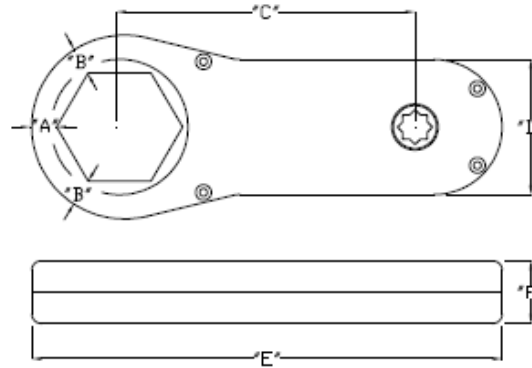


OPTIONAL REACTION ARM

MODEL	"A"	"B"	"C"	"D"
TC-050	3.75"	1.62"	4.50"	2.68"
TC-075-4-1	4.75"	2.38"	5.25"	2.87"
TC-075-6-1	5.00"	2.62"	6.25"	3.87"



IMPERIAL



METRIC

MISSING LINK 1/2" DRIVE, 4:1 RATIO						
MAXIMUM TORQUE: 250 FT. LBS. INPUT / 1000 FT. LBS. OUTPUT						
PART NO.	HEX	"A"	"B"	"C"	"D"	"F"
TC-050-4-1-087-S	7/8"	.600"	.662"	5.96"	2.75"	8.77"
TC-050-4-1-106-S	1-1/16"	.437"	.500"	5.96"	2.75"	8.77"
TC-050-4-1-125-S	1-1/4"	.437"	.500"	5.96"	2.75"	8.88"
TC-050-4-1-143-S	1-7/16"	.437"	.500"	5.96"	2.75"	8.99"
TC-050-4-1-162-S	1-5/8"	.437"	.500"	5.96"	2.75"	9.09"
TC-050-4-1-181-S	1-13/16"	.437"	.500"	5.96"	2.75"	9.20"
TC-050-4-1-200-S	2"	.437"	.500"	5.96"	2.75"	9.31"
TC-050-4-1-218-S	2-3/16"	.437"	.500"	5.96"	2.75"	9.42"
TC-050-4-1-237-S	2-3/8"	.437"	.500"	5.96"	2.75"	9.53"

MISSING LINK 1/2" DRIVE, 4:1 RATIO						
MAX.: 340 NEWTON METERS IN / 1360 NEWTON METERS OUTPUT						
PART NO.	HEX	"A"	"B"	"C"	"D"	"F"
TC-050-4-1-22MM	22 MM	13.5	15.1	151	70	222
TC-050-4-1-24MM	24 MM	12.0	13.5	151	70	222
TC-050-4-1-27MM	27 MM	11.1	12.7	151	70	222
TC-050-4-1-30MM	30 MM	12.0	13.5	151	70	226
TC-050-4-1-32MM	32 MM	11.1	12.7	151	70	226
TC-050-4-1-36MM	36 MM	11.1	12.7	151	70	228
TC-050-4-1-41MM	41 MM	11.1	12.7	151	70	231
TC-050-4-1-46MM	46 MM	11.1	12.7	151	70	234
TC-050-4-1-50MM	50 MM	11.1	12.7	151	70	236
TC-050-4-1-55MM	55 MM	11.1	12.7	151	70	239
TC-050-4-1-60MM	60 MM	11.1	12.7	151	70	242

MISSING LINK 3/4" DRIVE, 4:1 RATIO						
MAXIMUM TORQUE: 600 FT. LBS. INPUT / 2400 FT. LBS. OUTPUT						
PART NO.	HEX	"A"	"B"	"C"	"D"	"F"
TC-075-4-1-087-S	7/8"	.842"	.996"	8.34"	3.75"	12.17"
TC-075-4-1-106-S	1-1/16"	.752"	.846"	8.34"	3.75"	12.17"
TC-075-4-1-125-S	1-1/4"	.652"	.746"	8.34"	3.75"	12.17"
TC-075-4-1-143-S	1-7/16"	.562"	.656"	8.34"	3.75"	12.17"
TC-075-4-1-162-S	1-5/8"	.562"	.656"	8.34"	3.75"	12.28"
TC-075-4-1-181-S	1-13/16"	.562"	.656"	8.34"	3.75"	12.38"
TC-075-4-1-200-S	2"	.562"	.656"	8.34"	3.75"	12.49"
TC-075-4-1-218-S	2-3/16"	.562"	.656"	8.34"	3.75"	12.60"
TC-075-4-1-237-S*	2-3/8"	.562"	.656"	8.34"	3.75"	14.27"
TC-075-4-1-256-S	2-9/16"	.562"	.656"	8.34"	3.75"	12.82"
TC-075-4-1-275-S	2-3/4"	.562"	.656"	8.34"	3.75"	12.92"
TC-075-4-1-293-S	2-15/16"	.562"	.656"	8.34"	3.75"	13.03"
TC-075-4-1-312-S	3-1/8"	.562"	.656"	8.34"	3.75"	13.14"

*FOR USE WITH YAW PUCKS

MISSING LINK 3/4" DRIVE, 4:1 RATIO						
MAX.: 815 NEWTON METERS IN / 3260 NEWTON METERS OUT						
PART NO.	HEX	"A"	"B"	"C"	"D"	"F"
TC-075-4-1-22MM	22 MM	21.3	23.6	212	95	309
TC-075-4-1-24MM	24 MM	20.3	22.6	212	95	309
TC-075-4-1-27MM	27MM	18.8	21.1	212	95	309
TC-075-4-1-30MM	30 MM	17.3	19.6	212	95	309
TC-075-4-1-32MM	32 MM	16.3	18.6	212	95	309
TC-075-4-1-36MM	36 MM	14.3	16.6	212	95	309
TC-075-4-1-41MM	41 MM	14.3	16.6	212	95	312
TC-075-4-1-46MM	46 MM	14.3	16.6	212	95	315
TC-075-4-1-50MM	50 MM	14.3	16.6	212	95	317
TC-075-4-1-55MM	55 MM	14.3	16.6	212	95	320
TC-075-4-1-60MM	60 MM	14.3	16.6	212	95	323
TC-075-4-1-65MM	65 MM	14.3	16.6	212	95	325
TC-075-4-1-70MM	70 MM	14.3	16.6	212	95	328
TC-075-4-1-75MM	75 MM	14.3	16.6	212	95	331
TC-075-4-1-80MM	80 MM	14.3	16.6	212	95	334

MISSING LINK 3/4" DRIVE, 6:1 RATIO						
MAXIMUM TORQUE: 600 FT. LBS. INPUT / 3600 FT. LBS. OUTPUT						
PART NO.	HEX	"A"	"B"	"C"	"D"	"F"
TC-075-6-1-125-S	1-1/4"	.759"	1.04"	10.48"	4"	15.02"
TC-075-6-1-143-S	1-7/16"	.651"	.946"	10.48"	4"	15.02"
TC-075-6-1-162-S	1-5/8"	.543"	.846"	10.48"	4"	15.02"
TC-075-6-1-181-S	1-13/16"	.434"	.756"	10.48"	4"	15.02"
TC-075-6-1-200-S	2"	.562"	.656"	10.48"	4"	15.26"
TC-075-6-1-219-S	2-3/16"	.562"	.656"	10.48"	4"	15.37"
TC-075-6-1-237-S	2-3/8"	.562"	.656"	10.48"	4"	15.47"
TC-075-6-1-256-S	2-9/16"	.562"	.656"	10.48"	4"	15.58"
TC-075-6-1-275-S	2-3/4"	.562"	.656"	10.48"	4"	15.69"
TC-075-6-1-293-S	2-15/16"	.562"	.656"	10.48"	4"	15.80"
TC-075-6-1-312-S	3-1/8"	.562"	.656"	10.48"	4"	15.91"
TC-075-6-1-350-S	3-1/2"	.562"	.656"	10.48"	4"	16.12"
TC-075-6-1-387-S	3-7/8"	.562"	.656"	10.48"	4"	16.34"

MISSING LINK 3/4" DRIVE, 6:1 RATIO						
MAX.: 815 NEWTON METER IN / 4890 NEWTON METERS OUT						
PART NO.	HEX	"A"	"B"	"C"	"D"	"F"
TC-075-6-1-32MM	32 MM	23.3	25.6	266	102	382
TC-075-6-1-36MM	36 MM	21.3	23.6	266	102	382
TC-075-6-1-41MM	41 MM	18.8	21.1	266	102	382
TC-075-6-1-46MM	46 MM	16.3	18.6	266	102	382
TC-075-6-1-50MM	50 MM	14.3	16.6	266	102	389
TC-075-6-1-55MM	55 MM	14.3	16.6	266	102	390
TC-075-6-1-60MM	60 MM	14.3	16.6	266	102	393
TC-075-6-1-65MM	65 MM	14.3	16.6	266	102	396
TC-075-6-1-70MM	70 MM	14.3	16.6	266	102	399
TC-075-6-1-75MM	75 MM	14.3	16.6	266	102	401
TC-075-6-1-80MM	80 MM	14.3	16.6	266	102	404
TC-075-6-1-90MM	90 MM	14.3	16.6	266	102	410
TC-075-6-1-100MM	100 MM	14.3	16.6	266	102	415